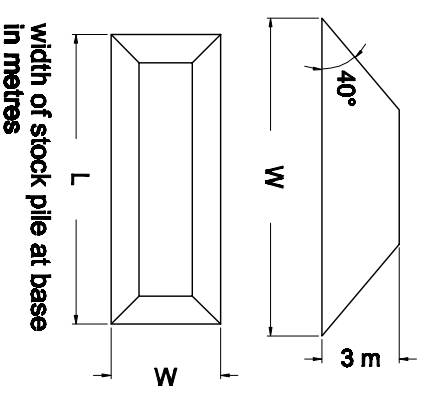
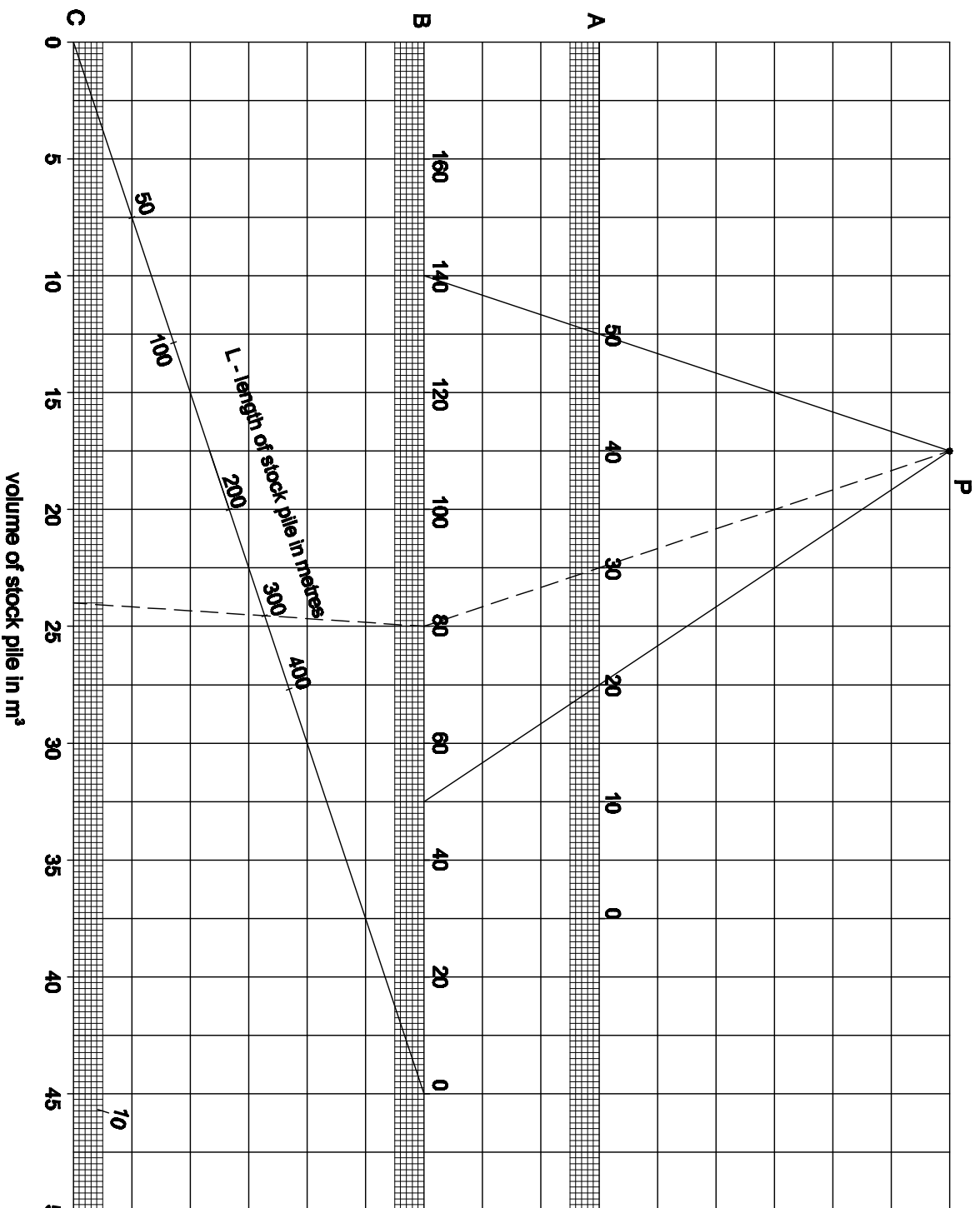


Fig. no. W2.F6



width of stock pile at base in metres

area of cross section  $m^2$

Scale :

A : width of pile : 1 cm = 10 m

B : cross sectional area : 1 cm = 10  $m^2$

C : volume of pile : 1 cm = 2500  $m^3$

P : point of reference

example :

width of pile = 30m (line A)

area of cross section = 80  $m^2$  (line-B)

length of pile = 300 m (line 0-0)

volume of pile = 24000  $m^3$  (line C)

x1000